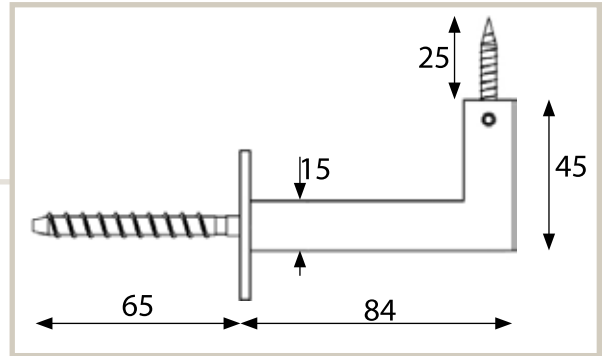


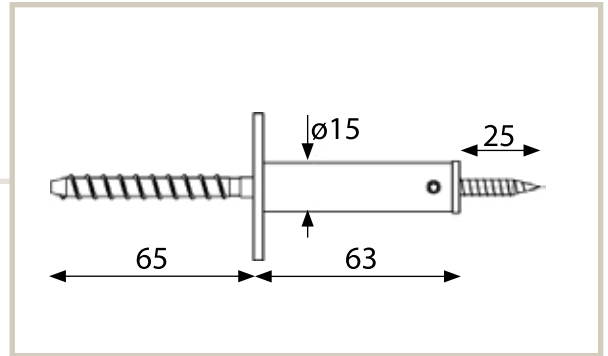
Bannister Supports



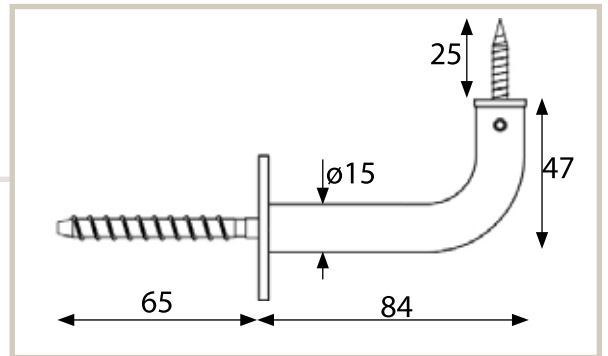
63130-38



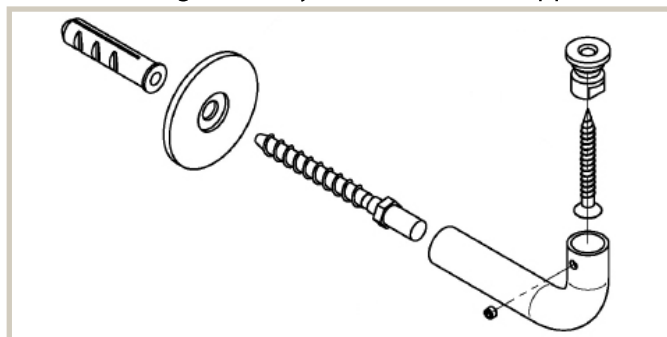
63120-38



63110-38



Mounting Assembly for all bannister supports



Fasteners Included. Box Quantity: 10 • AISI 304 Stainless Steel with a brushed finish