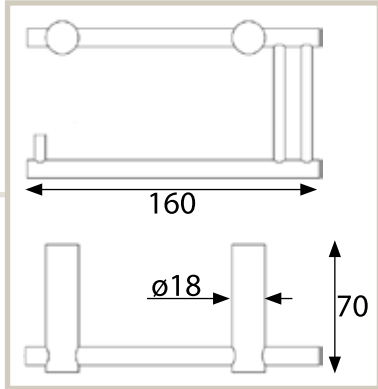


BRUSHED STAINLESS STEEL

Bath Accessories - Toilet Tissue Holders



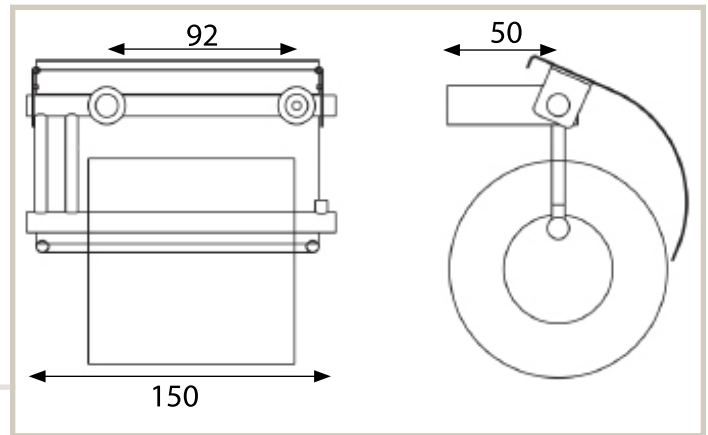
61110-38



Fasteners Included. Box Quantity: 1
AISI 304 Stainless Steel with a brushed finish



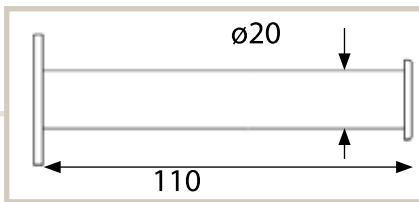
61115-38



Fasteners Included. Box Quantity: 1 • AISI 304 Stainless Steel with a brushed finish

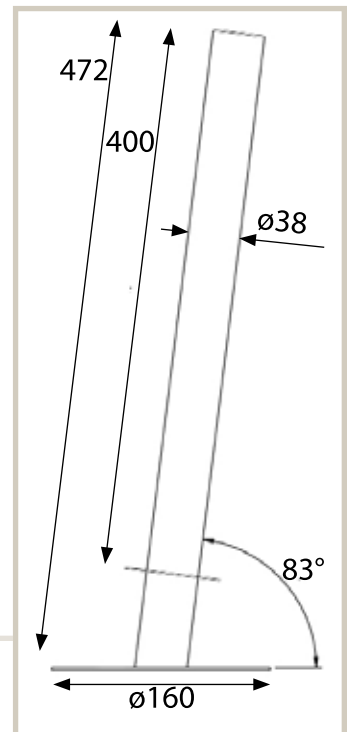


1015-38



Fasteners Included. Box Quantity: 1
AISI 304 Stainless Steel with a brushed finish

61120-38
Tissue Storage
Pole



Box Quantity: 1 • AISI 304 Stainless Steel with a brushed finish