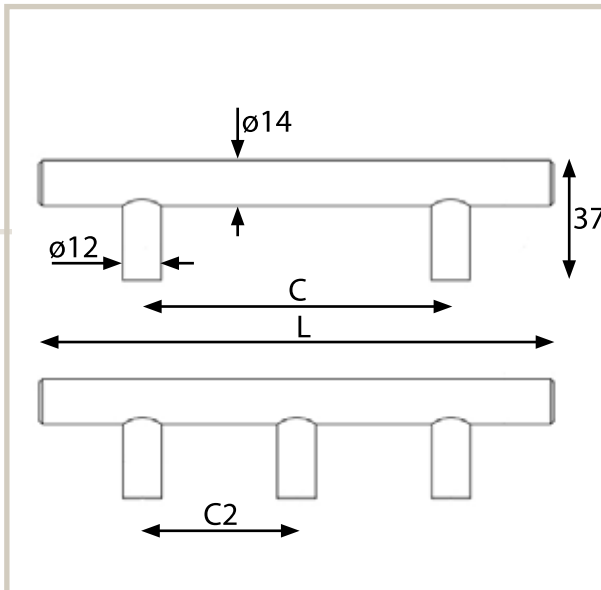


16000 Bar Pulls - $\phi 14$ mm



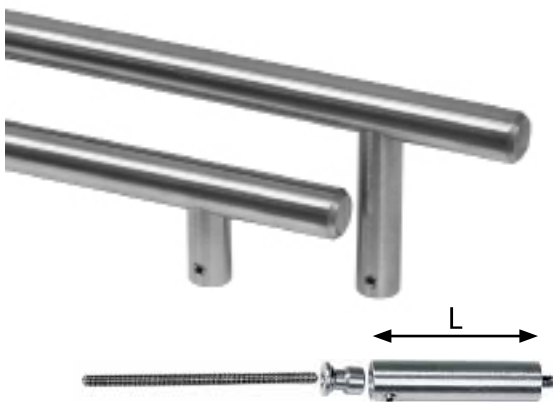
Matching appliance and door pull - page 36



Ref. No.	C mm	C/2 mm	L mm	L inches	Box
16003-38	64		144	5-11/16	25
16000-38	96		176	6-15/16	25
16059-38	128		208	8-3/16	10
16060-38	160		240	9-7/16	10
16061-38	192		272	10-11/16	10
16062-38	224		304	11-15/16	10
16064-38	288		368	14-1/2	10
16065-38	320		400	15-3/4	10
16066-38	352		432	17	10
16067-38	384		464	18-1/4	10
16068-38	416		496	19-1/2	10
16070-38	480		560	22-1/16	10
16073-38	576		656	25-13/16	10
16075-38	640		720	28-3/8	10
16076-38	672		752	29-5/8	10
16078-38	736		816	32-1/8	10
16083-38	896		976	38-7/16	10
16085-38	960		1040	40-15/16	10
16091-38	1152		1232	48-1/2	10
16095-38	1280	640	1360	53-9/16	10
16099-38	1408	704	1488	58-9/16	10
16100-38	1440	720	1520	59-13/16	10

Fasteners included: M4 x 25mm • AISI 304 Solid Stainless Steel with a brushed finish

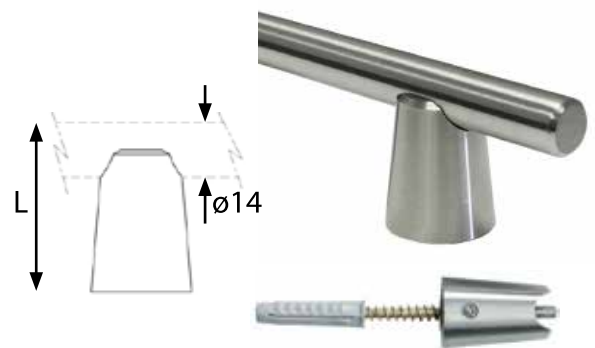
16000 Bar Pull Conversion Pedestals



Convert 16000 series pulls into back-to-back door pulls available in sets of 2

Ref. No.	L mm	L inches	Box
16024Kit	24	15/16	20
16050Kit	50	1-15/16	20

AISI 304 Solid Stainless Steel with a brushed finish



Convert 16000 series pulls into front-mount pulls available in sets of 2

Ref. No.	L mm	L inches	Box
1018-38	39	1-19/16	20

AISI 304 Solid Stainless Steel with a brushed finish