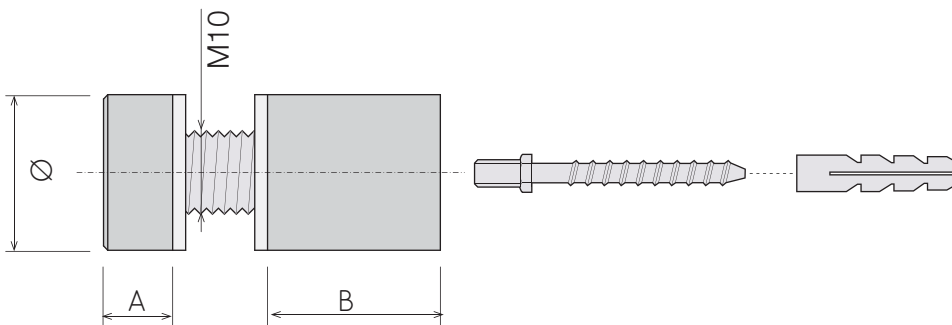
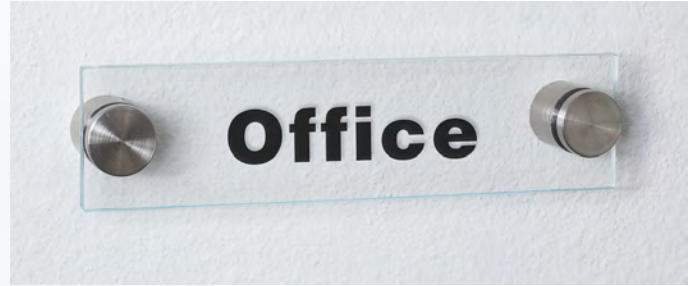
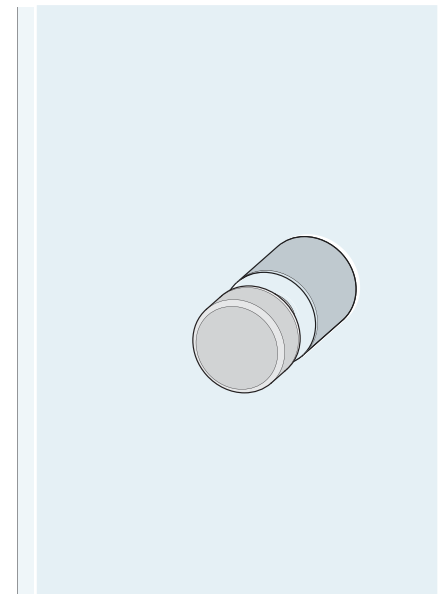


Signage Stand-Offs



Ref. No	Ø mm	Total Length	Length A	Length B	Box
1019-38	18	28mm/ 1-7/64"	8mm	20mm	20



Fasteners Included • AISI 304 Stainless Steel with a brushed finish