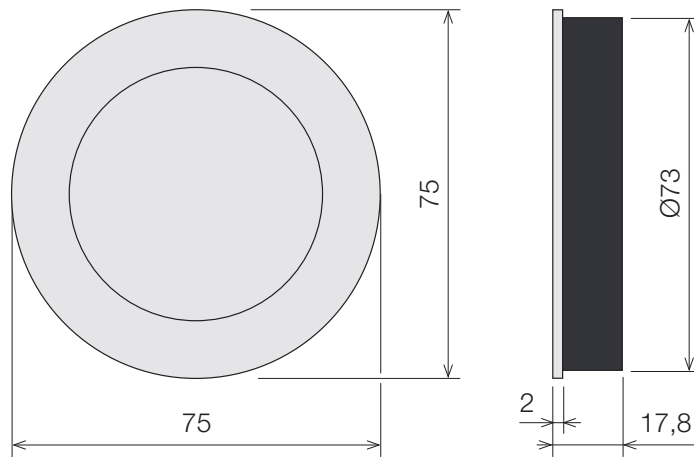
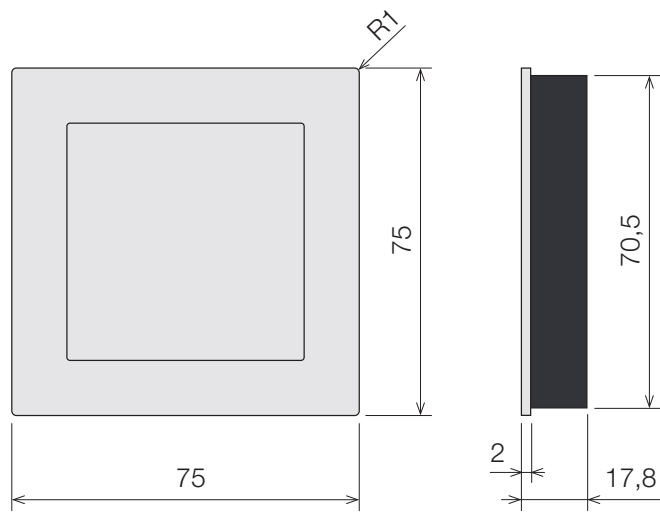


Technical Details 500 Series Spring Flush Pulls - Plastic and Stainless Steel



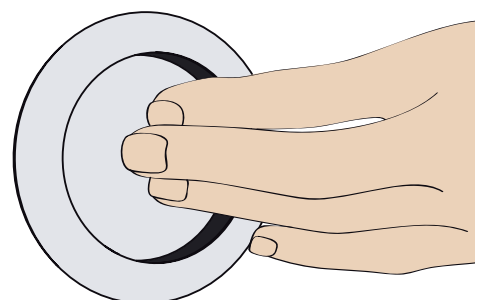
cod.	L	H	D
502-38-211	75	75	17.8



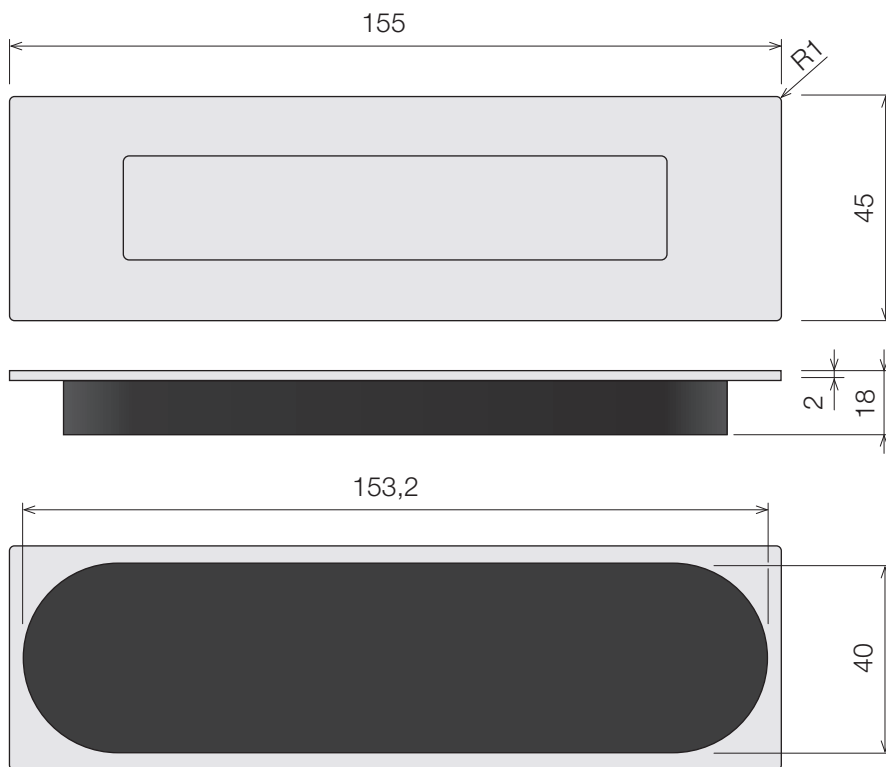
cod.	L	H	D
501-38-211	75	75	17.8

Suitable for furniture and light sliding doors.

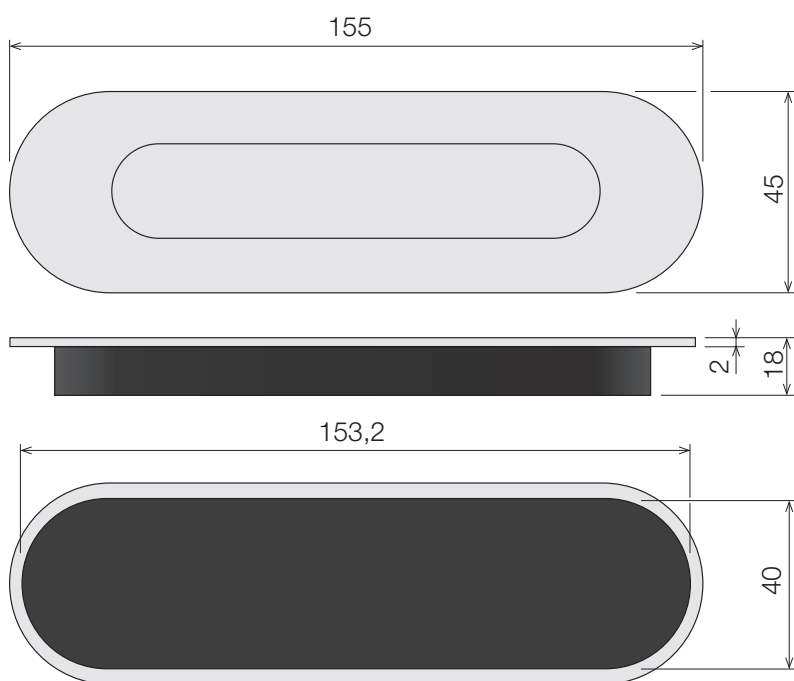
AISI 304, matte. General tolerances of technical drawing: $\pm 0,5\text{mm}$.



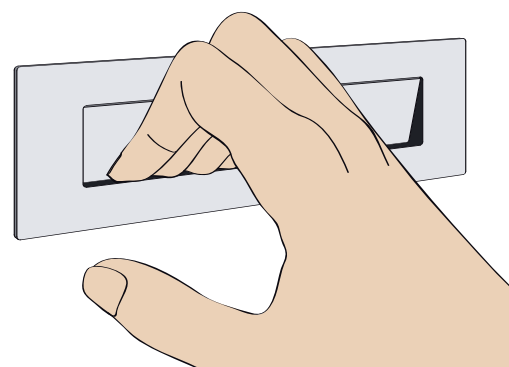
Technical Details 500 Series Spring Flush Pulls - Plastic and Stainless Steel



cod.	L	H	D
503-38-211	155	45	17,8



cod.	L	H	D
504-38-211	155	45	18



Suitable for furniture and light sliding doors.

AISI 304, matte. General tolerances of technical drawing: $\pm 0,5\text{mm}$.