

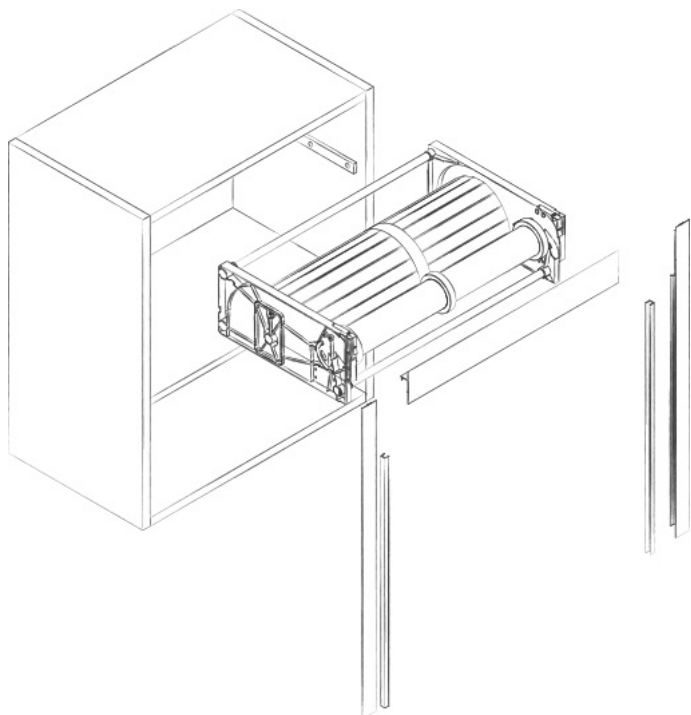
# dyna case

The roller shutter module

[www.dekkorinc.com](http://www.dekkorinc.com)  
[service@dekkorinc.com](mailto:service@dekkorinc.com)

**KNOKE**  
Beslagtechnik

# Roller shutter module dyna case



› **All inclusive:**

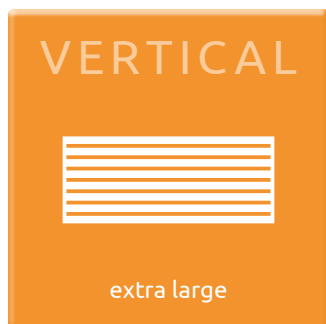
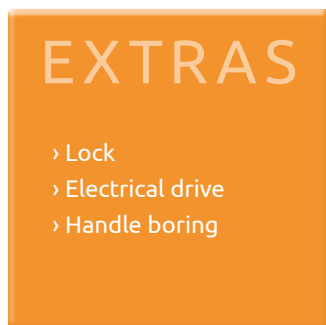
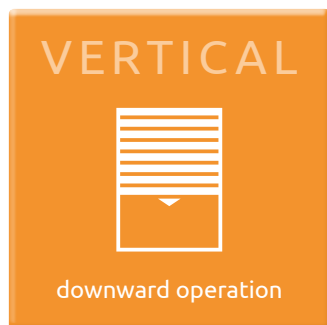
Plug-in unit with roller shutter and weight compensator fitting

› **Practical assembly:**

Mounting without any preparations regarding the cabinet

› **Decor upon request:**

Real aluminium, ABS plastic wrapped with aluminium foil



# The characteristics



## Top functionality

- › a very smooth opening and closing by means of convenient rotary shaft technology
- › tested for 30,000 opening cycles
- › easy adjustment of the weight compensator fitting
- › smart motion electrical drive optionally available
- › locks and handle borings upon request

## Time saving installation

- › ready-to-install delivery
- › winded up roller shutter
- › weight compensator fitting with appropriate setting
- › completely installed in just 4 steps

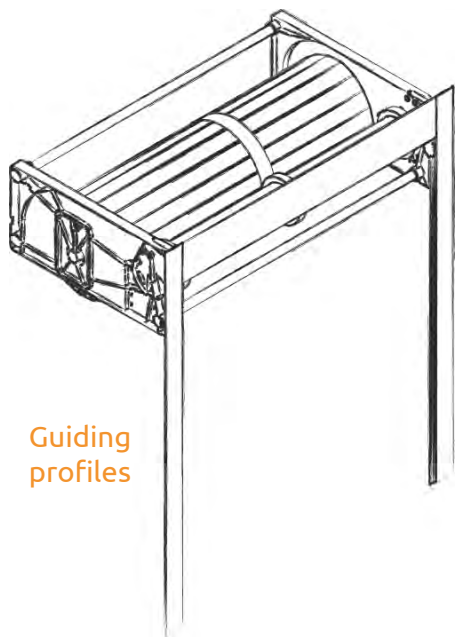
## Individual use – short delivery times

- › made to measure manufacturing
- › ceiling-high solutions with large width
- › for panel thicknesses from 16 to 19 mm
- › with and without bottom panel

## Attractive look due to a variety of finishes

- › roller shutter made of real aluminium
- › roller shutter with real aluminium foil on a plastic component

# The assembly



Cover profile  
for clipping on

Guiding  
profiles

## › Excellent components

The convenient rotary shaft technology of the dyna case is the basis for its very smooth-running operating performance. The opening and closing of the roller shutter is nearly frictionless. Both plastic side brackets are secured with 3 stabilisation poles made of galvanised steel. Together these components form a safe transportation unit.

## › Delivery condition

The roller shutter mat is winded up and the spring force is already adjusted. The cover and guiding profiles are made to measure according to the requirement of the customer.

## › Whenever necessary set the tension of the spring:

- › Turn forwards: more tension of the spring
- › Turn backwards: less tension of the spring



## › Installation

- › push the dyna case into the cabinet
- › clips the cover profile and the guiding profiles onto the plastic brackets
- › set the guiding rails into the guiding profiles
- › insert the roller shutter into the guiding profiles – finished

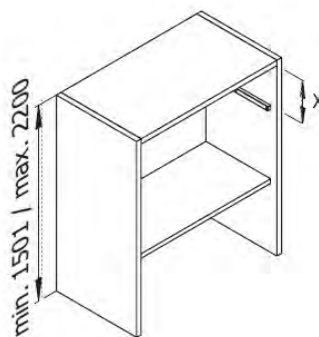
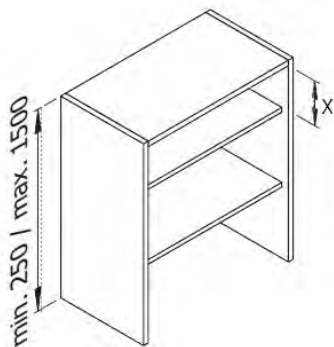
### Guiding Profile Options:



Infront of Carcase: System Contour



Internal: System Yankee



Dyna Case Heights 250mm - 1500mm require support shelf (not included) for installation.

Dyna Case Heights 1501mm - 2200mm come with support bracket for installation (no support shelf required)

# The roller shutters

## smart plus 25 aluminium

- › high-quality and perfect appearance:  
all profile components are made of extruded aluminium
- › anodised aluminium (E6/C0) , aluminium with stainless steel effect (E2/ES) or aluminium with matte black finish (E6/C35)
- › absolutely silent: flexible plastic profiles interconnect the single slats free from backlash



## smart plus 40 aluminium

- › light and robust: slats made of roll-formed aluminium profiles
- › dimensionally stable: for large widths up to 2400 mm
- › anodised aluminium (E6/C0) , aluminium with stainless steel effect (E2/ES) or aluminium with matte black finish (E6/C35)
- › easy handling: optional mid handle profile



## KS 25 ABS plastic with decorative finish

- › reliability through robust slat connecting technology
- › ABS material, maximum bending stiffness, recyclable
- › **KS 25 F** – the high-quality version: real aluminium foil on a plastic component.
- › anodised aluminium (E6/C0) , aluminium with stainless steel effect (E2/ES) or aluminium with matte black finish (E6/C35)



## KS 40 ABS plastic with decorative finish

- › reliability through robust slat connecting technology
- › ABS material, maximum bending stiffness, recyclable
- › **KS 40 F** – the high-quality version: real aluminium foil on a plastic component.
- › aluminium with stainless steel effect (E2/ES) or aluminium with matte black finish (E6/C35)

# smart plus 25

## Aluminium

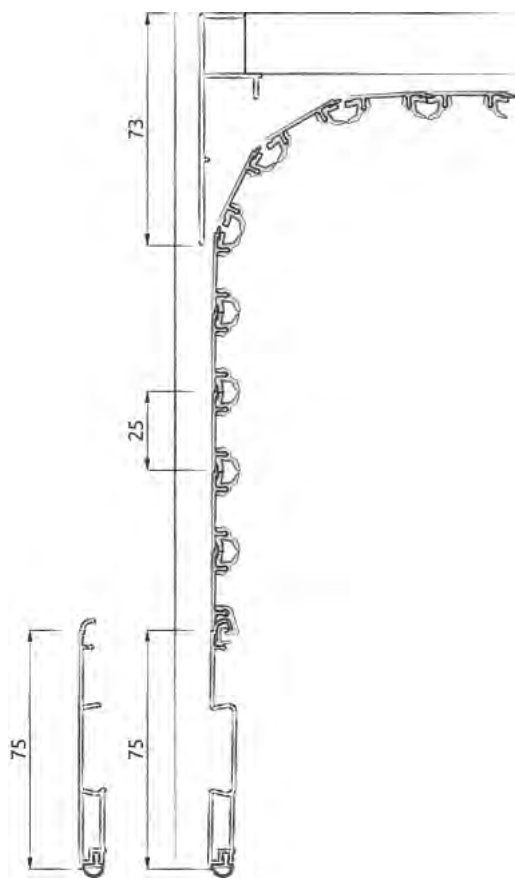
High-quality aluminium roller shutter with perfect appearance: even guiding profiles and cover profile are made of aluminium.

### Absolutely silent:

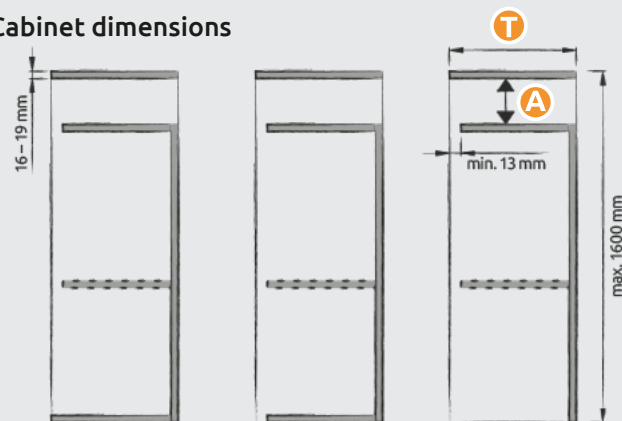
- › flexible plastic profiles interconnect the slats free from backlash

### Finishes:

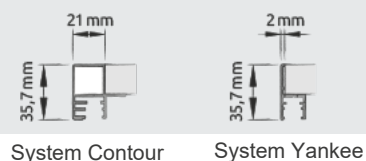
- › anodised aluminium (E6/C0)
- › aluminium with stainless steel effect (E2/ES)
- › matte black aluminium (E6/C35)



### Cabinet dimensions



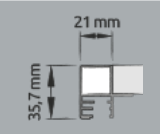
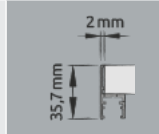
### Guiding profiles



### Measurement A

Up to cabinet height	Panel thickness 16 mm	Panel thickness 19 mm
250 mm – 1.600 mm	158 mm	155 mm

### Measurement T

	min. 329 mm		min. 344 mm
System Contour		System Yankee	

### Detailed information for your enquiry/order

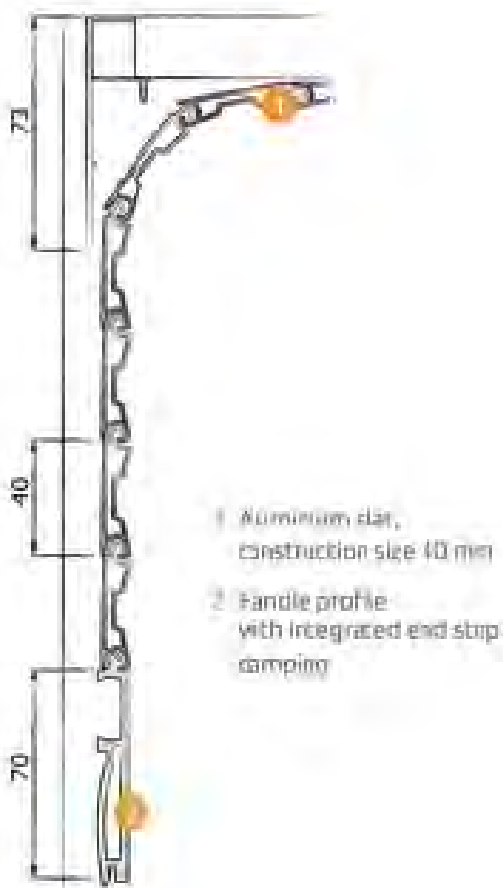
› Cabinet width:	min. 400 mm – max. 1.600 mm
› Cabinet height:	min. 250 mm – max. 1.600 mm
› Cabinet depth:	min. 329 resp. 344 mm
› Panel thickness:	16 mm or 19 mm
› Bottom profile:	handle profile or end profile
› Guiding profile:	internal Yankee or in front thickness Contour
› Cabinet type:	with or without bottom panel
› Drive:	manual or electric
› Lock:	possible
› Mid handle profile:	not possible

# smart plus 40

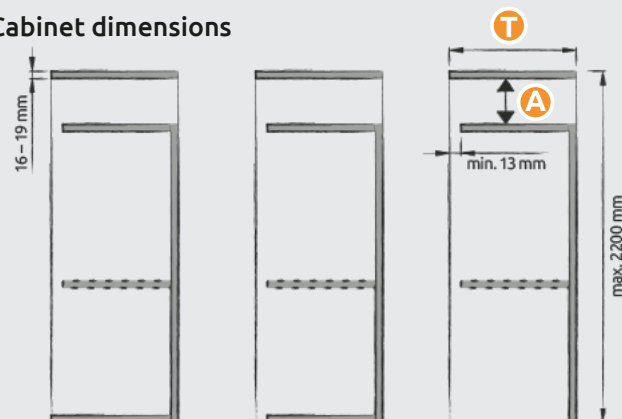
## Aluminium

**Robust aluminium roller shutter for large dimensions. The visual identification is the 40 mm height of the slats. A real alternative even for smaller cabinets.**

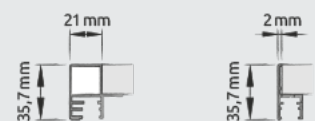
- › slats made of roll-formed aluminium profiles
- › Finishes:
  - anodised aluminum (E6/C0)
  - aluminium with stainless steel effect (E2/ES)
  - aluminum with matte black finish (E6/C35)
- › optional with mid handle profile
- › guiding and cover profiles made of anodised aluminium



### Cabinet dimensions



### Guiding profiles



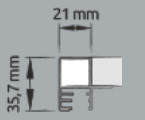
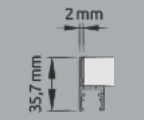
System Contour

System Yankee

### Measurement A

Up to cabinet height	Panel thickness 16 mm	Panel thickness 19 mm
250 mm – 2.200 mm	158 mm	155 mm

### Measurement T

	min. 329 mm		min. 344 mm
--	-------------	---	-------------

System Contour

System Yankee

### Detailed information for your enquiry/order

› Cabinet width:	min. 400 mm – max. 2.400 mm
› Cabinet height:	min. 250 mm – max. 2.200 mm
› Cabinet depth:	min. 329 resp. 344 mm
› Panel thickness:	16 mm or 19 mm
› Bottom profile:	handle profile
› Guiding profile:	internal Yankee or in front thickness Contour
› Cabinet type:	with or without bottom panel
› Drive:	manual
› Lock:	possible
› Mid handle profile:	possible

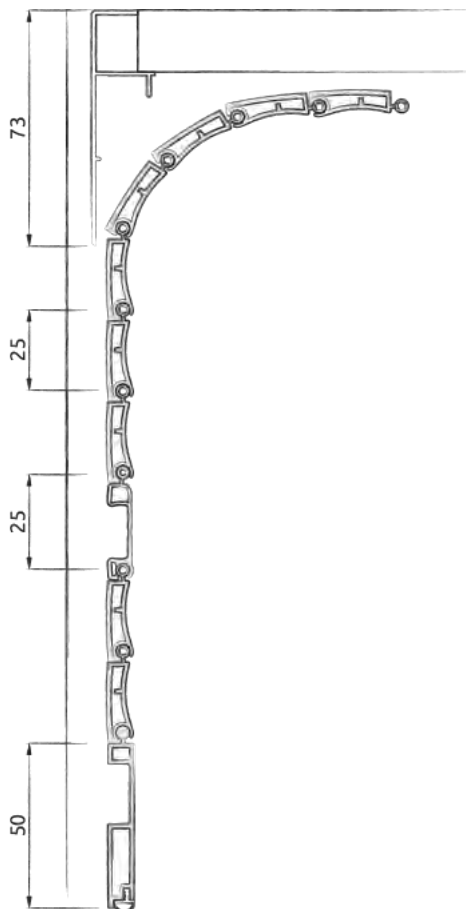
# KS 25F

ABS plastic with decorative finish

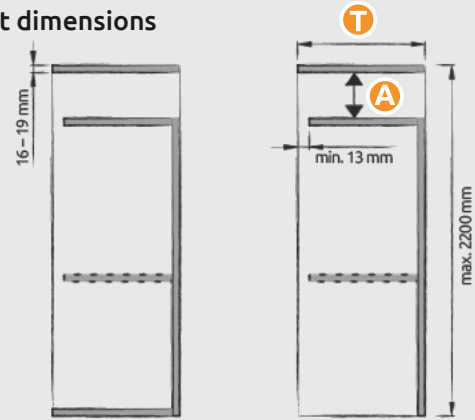
Roller shutter made of recyclable ABS, single slats provide a form-fitting connection. Optimal stability by bottom profiles made of solid aluminium.

## KS 25 F Profiles wrapped with real aluminium:

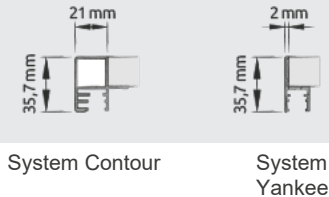
- › real aluminium foil on a plastic component
- › aluminium in its lightest form
- › Finishes:
  - anodised aluminium (E6/C0)
  - aluminium with stainless steel effect (E2/ES)
  - aluminum with matte black finish (E6/C35)



## Cabinet dimensions



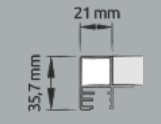
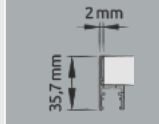
## Guiding profiles



## Measurement A

Up to cabinet height	Panel thickness 16 mm	Panel thickness 19 mm
250 mm – 2.200 mm	158 mm	155 mm

## Measurement T

	min. 329 mm		min. 344 mm
System Contour		System Yankee	

## Detailed information for your enquiry/order

- › Cabinet width: min. 400 mm – max. 1.600 mm
- › Cabinet height: min. 250 mm – max. 2.200 mm
- › Cabinet depth: min. 329 resp. 344 mm
- › Panel thickness: 16 mm or 19 mm
- › Bottom profile: handle profile or end profile
- › Guiding profile: internal or in front thickness
- › Cabinet type: with or without bottom panel
- › Lock: possible
- › Mid handle profile: possible



# KS 40F

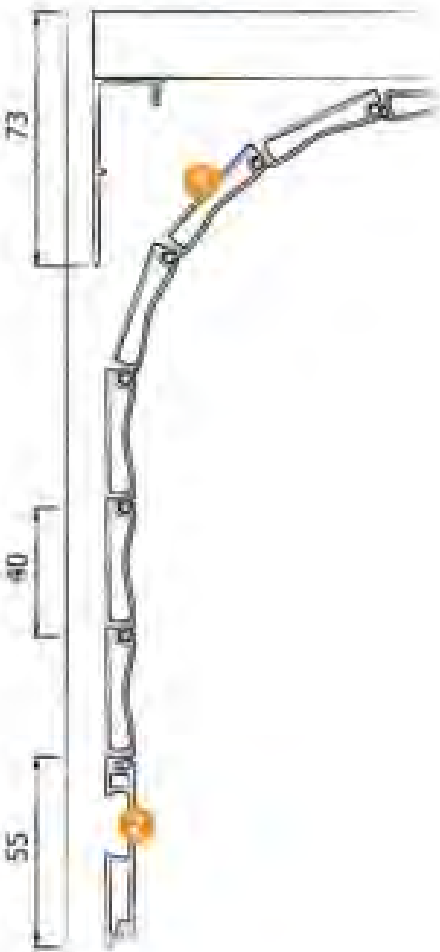
ABS plastic with decorative finish

Roller shutter made of recyclable ABS, single slats provide a form-fitting connection. Optimal stability by bottom profiles made of solid aluminium.

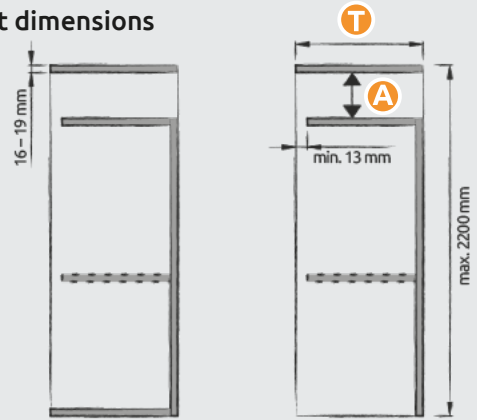
## KS 40 F Profiles wrapped with real aluminium:

- › real aluminium foil on a plastic component
- › aluminium in its lightest form
- › Finishes:

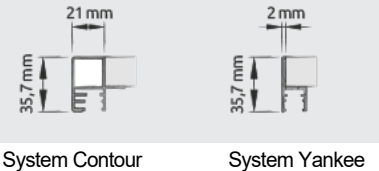
aluminium with stainless steel effect (E2/ES)  
aluminium with matte black finish (E6/C35)



## Cabinet dimensions



## Guiding profiles



## Measurement A

Up to cabinet height	Panel thickness 16 mm	Panel thickness 19 mm
250 mm – 2.200 mm	158 mm	155 mm

## Measurement T

	min. 329 mm		min. 344 mm
---	-------------	---	-------------

System Contour

System Yankee

## Detailed information for your enquiry/order

- › Cabinet width: min. 400 mm – max. 1.600 mm
- › Cabinet height: min. 250 mm – max. 2.200 mm
- › Cabinet depth: min. 329 resp. 344 mm
- › Panel thickness: 16 mm or 19 mm
- › Bottom profile: handle profile or end profile
- › Guiding profile: internal or in front thickness
- › Cabinet type: with or without bottom panel
- › Lock: possible
- › Mid handle profile: possible