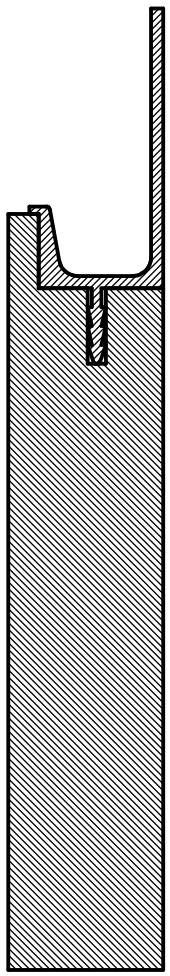
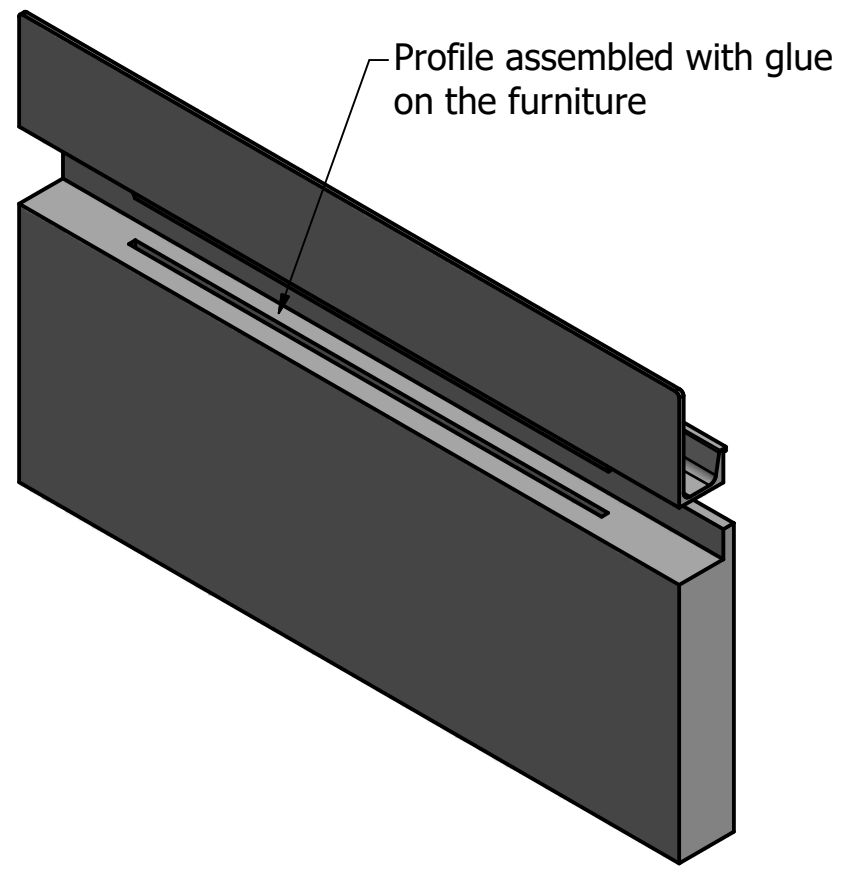
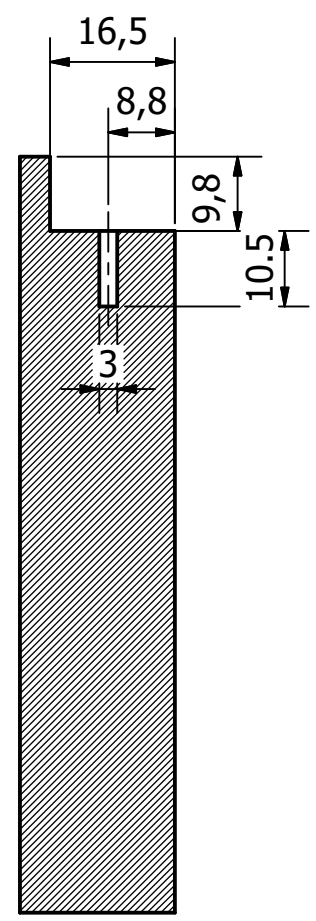


ASSEMBLY SECTION



FURNITURE SECTION



Toleràncies en mm segons DIN ISO-2768-m									A4		
>0.5-3	>3-6	>6-30	>30-120	>120-400	>400-1000	>1000-2000	>2000-4000	Angle			
±0.1	±0.1	±0.2	±0.3	±0.5	±0.8	±1.2	±2	0.5°	JEY		
Toleràncies específiques producte:									Version: 0127_Assembly_02		
CC = ± 0.3mm			L = 120-599(+0.5 -0.2) 600-1200 (+0.8 -0.2)						0127		

Nº	Modification	Date	Tolerance	Scale	Drawing	23/01/2020	Marta Antolin
02	Drawing updated	23.01.2020	ISO 2768-m	1:1	Checked	23/01/2020	Marta Antolin
Material: ZAMAK							A4
Quality: <input type="radio"/> For inspection							