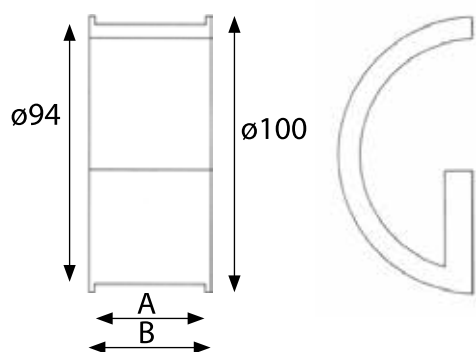


# BRUSHED STAINLESS STEEL

## G Sliding Door Pulls

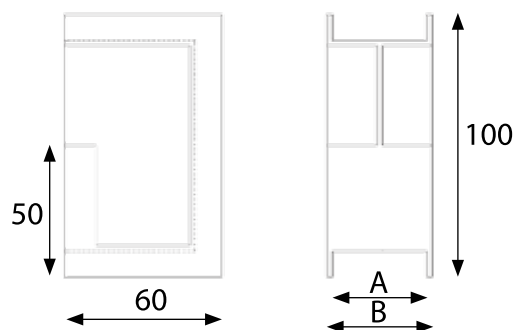


Ref. No.	B mm	A mm	A inches	Box
96210-38	14	10	3/8	1
96235-38	39	35	1-3/8	1
96240-38	44	40	1-9/16	1
96245-38	49	45	1-3/4	1
96250-38	54	50	1-15/16	1

A = Door width

Affix with adhesive (not included) • AISI 304 Stainless Steel with a brushed finish

## KUBE Sliding Door Pulls



Ref. No.	B mm	A mm	A inches	Box
96335-38	39	35	1-3/8	1
96340-38	44	40	1-9/16	1
96345-38	49	45	1-3/4	1

A = Door width

Affix with adhesive (not included) • AISI 304 Stainless Steel with a brushed finish