

smart case

Add European style, create space and conceal clutter in kitchen, bath, or furniture designs.

Easy to install plug-in unit

Aluminum, Stainless Steel Finish, Black, White or Glass



KS 25 Series



Smart Plus



Quasar Reflex

Discover the Possibilities!

Smartplus - Solid Extruded Aluminum, 25mm Slats
Finishes: Stainless steel effect or Aluminum anodized

KS 25/KS 40 Series - ABS Plastic with Finish, 25mm or 45mm Slats
Lightweight reliability, robust slat connection

Finishes: Stainless steel effect, Aluminum anodized, white high gloss, black high gloss. KS 40 available in brushed black finish

Quasar Reflex - 4mm Toughened Safety Glass, 50mm Slats

Finishes: Float Glass frosted, White Glass frosted, Float glass black laquered, White glass white laquered.

For detailed information or brochure

Contact us !

service@dekkorinc.com

For Orders and Quotations, please use the corresponding Order Form

ORDER

 QUOTATION

Date:	Contact:
Company Name:	P.O. No.:
Address:	E.T.A.:
	Delivery Date:
City/Prov-State:	Date Required:
Phone:	Email:

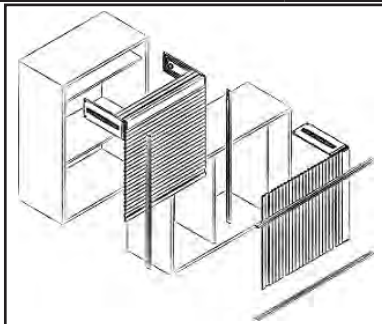
SMART CASE or K 25

25mm/ 1" slats

Tambour assembled - plug-in unit ready to fit into cabinet

- No machining or special grooving of cabinet required
- Includes top cover profile and 2 side guiding profiles
- For vertical or horizontal application

Up to height	Finish	Roll-up type	Quantity
650mm / 25-9/16"	anodized aluminum	A	
	stainless steel effect	A	
	white/black high gloss (K25 ONLY)	A	
	black brushed (K40 ONLY)	A	
1200mm / 47-1/4"	anodized aluminum	B	
	stainless steel effect	B	
	white / black high gloss (K25 ONLY)	B	
	black brushed (K40 ONLY)	B	
1600 mm / 63"	anodized aluminum	C	
	stainless steel effect	C	
	white/black high gloss (K25 ONLY)	C	
	black brushed(K40 ONLY)	C	



- SMART Case (solid extruded aluminum)
- K 25 Series (ABS Plastic with decorative finish)
- K 40 Series (ABS Plastic with decorative finish)

X: Distance between top & supporting shelf

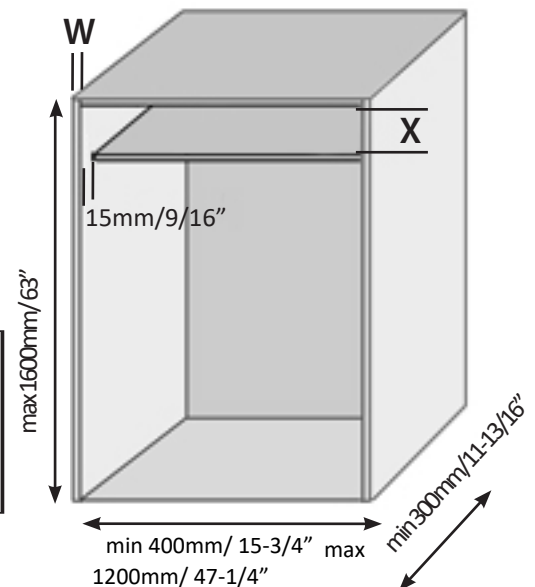
Roll-up type A = 102mm/4" Roll-up type B = 122mm/4-13/16" Roll-up type C = 135mm/5-5/16"

- W = 16mm/ 5/8" W
- = 19mm/ 3/4"
- with supplied handle
- with integrated handle strip profile (recessed groove in profile - no handle required)

Exterior cabinet measurements:

Height = _____ mm

Width = _____ mm



ORDER

 QUOTATION

Date:	Contact:
Company Name:	P.O. No.:
Address:	E.T.A.:
	Delivery Date:
City/Prov-State:	Date Required:
Phone:	Email:

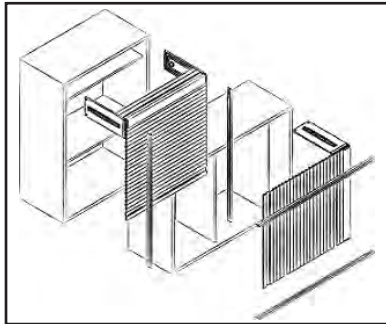
Quasar Reflex 50mm/ 2" slats
Tambour assembled - plug-in unit ready to fit into cabinet

- No machining or special grooving of cabinet required
- Includes top cover profile and 2 side guiding profiles
- For vertical or horizontal application

Cabinet height	Finish	Roll-up type	Quantity
300mm / 12"- 1500mm / 59-1/16"	Frosted Float Glass	A	
	Frosted White Glass	A	
	Float Glass Black Laquered	A	
	White Glass White Laquered	A	

Guiding and Cover Profiles: Anodized aluminum Stainless Steel effect

Exterior cabinet measurements: Height
= _____ mm
Width = _____ mm



- W=16mm/5/8"
- W=19mm/3/4"
- with supplied aluminum handle

X: Distance between top & supporting shelf
Roll-up type A = 155mm/ 6-1/8"

