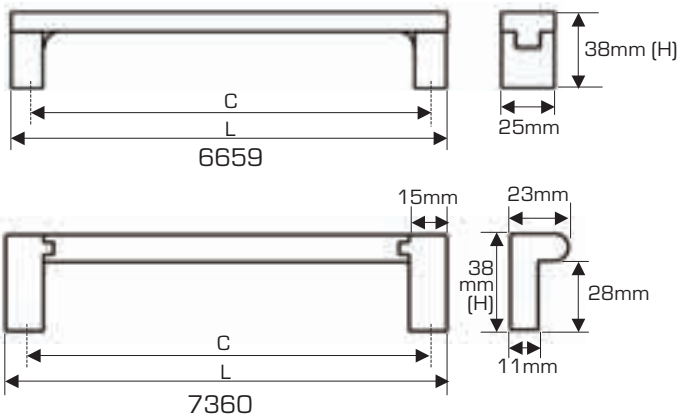




All wood items supplied in ready-to-stain, unfinished beech or beech with a clear-coat lacquer (add L to Ref. No.) Not supplied in other stains shown.



Ref. No.	C mm	W mm	H mm	L mm	L Inches	Box Qty.
5300-2009-95	96	20	29	108	4-1/4	25
5359-2009-95	128	20	29	140	5-1/2	25
5360-2009-95	160	20	29	172	6-3/4	25
5361-2009-95	192	20	29	204	8-1/16	25
6659-2009-95	128	25	38	143	5-5/8	25
6660-2009-95	160	25	38	175	6-7/8	25
6661-2009-95	192	25	38	207	8-1/8	25
6663-2009-95	251	25	38	266	10-1/2	25
7160-2009-95	160	∅16	37	171	6-3/4	25
7261-2009-95	192	27	33	205	8-1/16	25
7360-2009-95	160	23	39	175	6-7/8	25
7460-2009-95	160	13	35	174	6-7/8	25

FASTENERS INCLUDED: M4 x 25

MATERIALS: Unfinished Beech (add L for lacquered product) and Mazac

FINISH: Chrome Satin