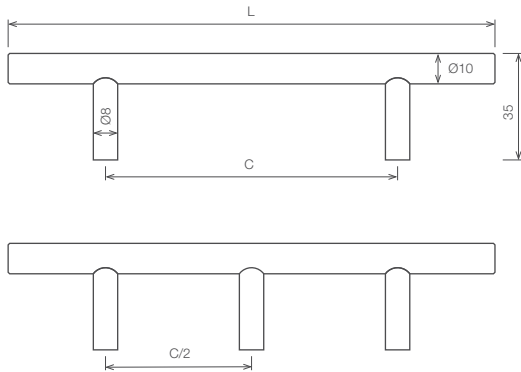


Bar Handles 14000 Series $\varnothing 10\text{mm}$



Ref. No.	C mm	L mm	L inches	C/2 mm	
14303-38	64	128	5-1/16		25
14300-38	96	160	6-5/16		25
14359-38	128	192	7-9/16		25
14360-38	160	224	8-13/16		25
14361-38	192	256	10-1/16		10
14362-38	224	288	11-5/16		10
14363-38	256	320	12-5/8		10
14364-38	288	352	13-7/8		10
14365-38	320	384	15-1/8		10
14366-38	352	416	16-3/8		10
14367-38	384	448	17-5/8		10
14368-38	416	480	18-7/8		10
14369-38	448	512	20-3/16		10
14370-38	480	544	21-7/16		10
14471-38	512	576	22-11/16		10
14472-38	544	608	23-15/16		10
14473-38	576	640	25-3/16		10
14474-38	608	672	26-7/16		10
14475-38	640	704	27-11/16	320	10
14476-38	672	736	29	336	10
14477-38	704	768	30-1/4	352	10
14478-38	736	800	31-1/2	368	10
14479-38	768	832	32-3/4	384	10
14481-38	832	896	35-1/4	416	10
14483-38	896	960	37-13/16	448	10
14485-38	960	1024	40-1/4	480	10
14492-38	1184	1248	49-1/8	592	10
14498-38	1376	1440	56-11/16	688	10