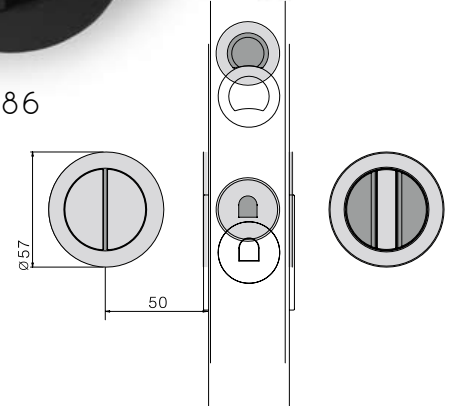


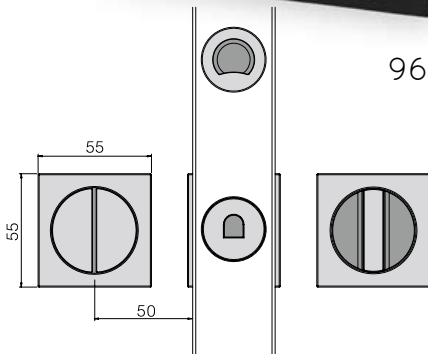
# Black Lock Collection



96901-38-386



96911-38-386



386 = Black Powder Coating • AISI 303 304 Stainless Steel